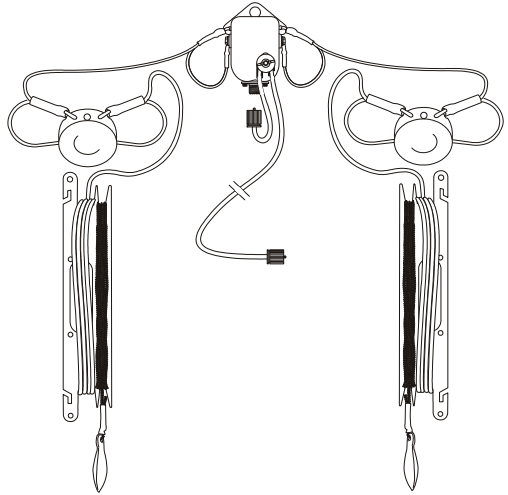

Tactical broadband dipole antenna - 40 W PEP

P/N 2090-02-03 or P/N BCA204026

Contents Overview

- Balun
- 2 x Kevlar core antenna wire
- 2 x Loads knotted
- 2 x Insulators
- 2 x large winders
- 2 x 10m Throwing cord
- 2 x Lead throw weights
- 10m RG-58 coax
- Carry bag
- Instruction sheet



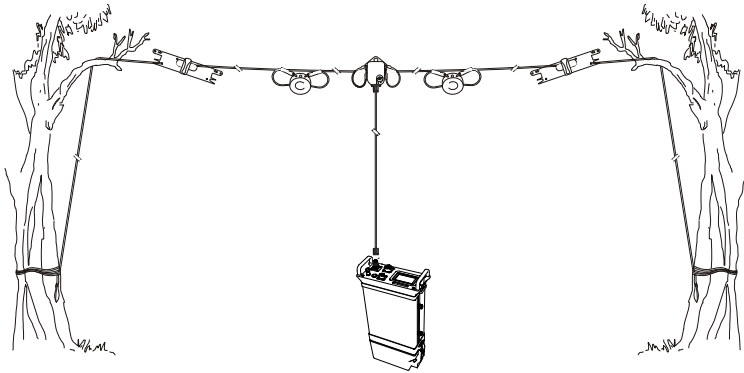
The Tactical Broadband Dipole Antenna is a dipole antenna with loading to allow broadband operation. For operation, each side of the antenna is unwound to its full length. Throwing cords are provided that can be used to elevate the antenna or tie it to ground for an inverted V configuration. The antenna will handle 40 W continuous data and CW transmission. The antenna can be used in a number of configurations, depending on structures available for elevation.

Tactical broadband dipole antenna - 40 W PEP

P/N 2090-02-03 or P/N BCA204026

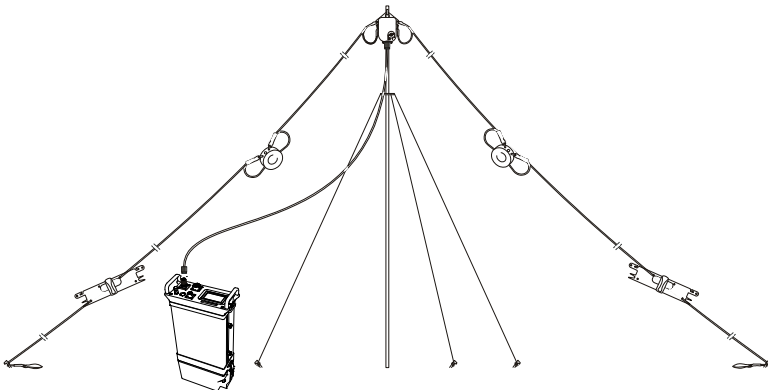
Horizontal Dipole

The horizontal dipole has maximum gain on the broadsides of the antenna and reduced gain along the axis. Height above ground affects radiation angle. Lower heights give higher angle radiation, better for NVIS (short distance). Higher heights give lower radiation angle, better for long distance communication.



Inverted V

The inverted-V has a more omni-directional pattern than the Horizontal Dipole, with lower maximum gain. The ends of the antenna should be at least 0.5m above ground. Suitable mainly for NVIS and medium distance.

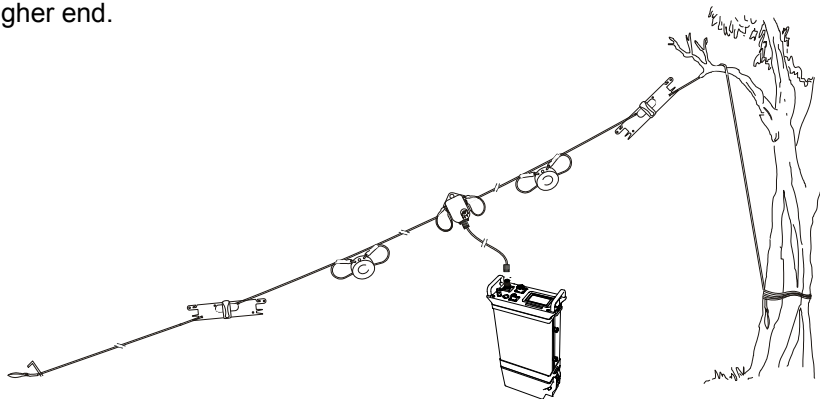


Tactical broadband dipole antenna - 40 W PEP

P/N 2090-02-03 or P/N BCA204026

Sloping Dipole

Radiation with the Sloping Dipole becomes more directional, with increased gain in the direction of the lower end of the antenna, and reduced gain towards the higher end.



Inverted U

The inverted U has a radiation pattern between that of horizontal dipole and inverted V. For optimum performance, the radiating elements should be fully unwound, and should not touch the ground. Suitable for NVIS to medium distance. Longer distance performance will be enhanced by erecting the antenna at a height of 10m or more.

