



HF Radio Communications

2022 Mains power supply



The BARRETT 2022 is a 13.8 V DC regulated, 21 Amp power supply capable of operating on AC input voltages from 88 VAC to 264 VAC without input voltage switching and is designed to power the Barrett 2000 series of HF transceivers and accessories.

The 2022 has connectors to provide power for one 2000 series transceiver plus one 2000 series accessory such as a modem.

The 2022 has a battery standby system comprising a charging circuit with a true automatic no-break changeover, in case of mains power supply failure. This feature eliminates the problems of data modems re-setting during mains failures and requiring re-initialisation. When mains is present the power supply charges the battery at a maximum rate of 3 Amps. When the battery is fully charged the rate is reduced to a trickle charge to prevent over charging.

The 2022 power supply incorporates loudspeakers for the 2000 series transceiver when used in a base station configuration. The loudspeaker is automatically connected to the transceiver via the power connector. The power supply is provided with an internal fan allowing operation at a 100% duty cycle for data applications.

The 2022 power supply is supplied with four IEC cord sets that will suit most mains power outlets used throughout the world.

2022

www.barrettcommunications.com.au

BCB2022/14

MADE IN AUSTRALIA

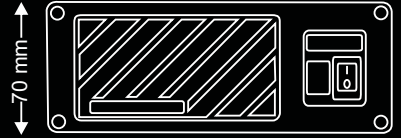


HF Radio Communications Specifications

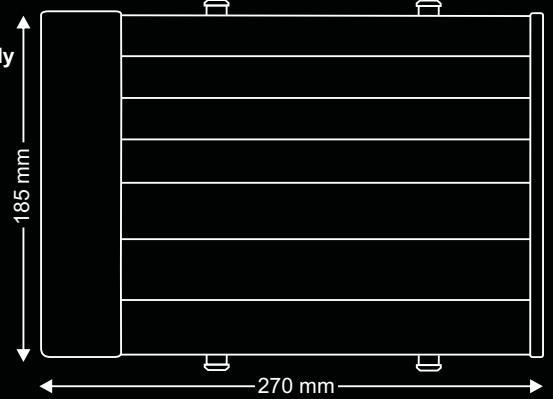
Specifications

Equipment	Barrett 2022 Mains power supply with no break battery backup charge controller and base station loudspeaker
Output voltage	13.8V DC
Output current	21 Amps continuous
Input voltage	88 to 264 VAC @ 50 to 60 Hz auto-ranging
Regulation	Less than 1% change at full load
Ripple and noise	Less than 150 mV RMS at full load
Overload protection	105% to 135% hiccup mode, auto recovery
Operating temperature	-10°C to +50°C
EMC standards	EN55022 class B, EN 61000-3-2,3 EN 61000-4-2,2,3,4,5,6,7,8,11 EN50204
Charger output	13.6 V DC, 3 Amps maximum
Controls	Mains on/off switch, LED condition displays
Speaker impedance	8 ohm
Speaker power	5 W
Connectors DC	2 x DB 15 - 7W2 female for connection to Barrett 2000 series transceivers and accessories 1 x DB 15 - 7W2 male for connection to auxiliary battery
Connectors AC	IEC
Mounting	Standard bench mounting or optional 19" rack mounting kit (P/N BCA20007)

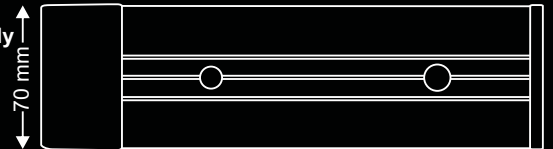
2022 Mains power supply front



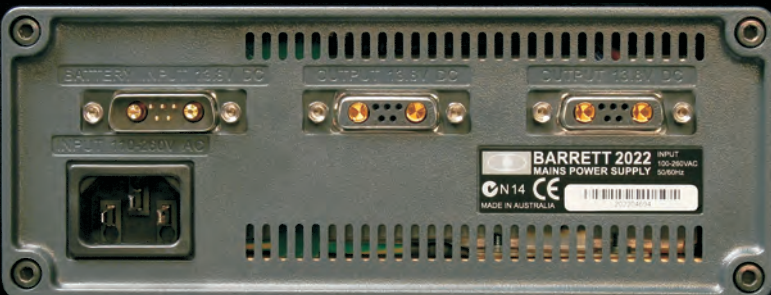
2022 Mains power supply top



2022 Mains power supply side



Barrett 2022 Power supply front panel



Barrett 2022 Power supply rear panel



Example:

Pictured is a 2022 Power supply being used with a 2050 HF Transceiver and 2023 HF Modem. These components combined create the Barrett 2020 Email fax & data system.

Head Office:

Barrett Communications Pty Ltd
47 Discovery Drive, Bibra Lake, WA, 6163 AUSTRALIA
Toll Free Tel: 1800 999 580 Tel: +618 9434 1700 Fax: +618 9418 6757
email: information@barrettcommunications.com.au

European Office:

Barrett Europe Limited
Unit 9, Fulcrum 2, Solent Way, Whiteley, Hampshire
PO15 7FN UNITED KINGDOM
Tel: +44 (0) 1489 880 332 Fax: +44 (0) 1489 565 422
email: uksales@barrettcommunications.com.au

Americas Office:

Barrett Communications USA LLC
1000 North West Street, Suite 1200 Wilmington,
Delaware 19801-1058
UNITED STATES OF AMERICA
Tel: +1 703 291 0414 Fax: +1 703 291 4950
email: sales@barrettusa.com