

End of Sale Statement - BoB 9th April 2019

Barrett Communications is announcing the End of Sale of the Barrett Break Out Box (BoB) with the following rationale and way forward:

In 2017, Barrett launched 4050 HF SDR Transceiver and at that time the Barrett BoB was developed to enable IP (internet protocol) connectivity between the Barrett 4050 HF SDR Transceiver and an IP network and for additional antenna connections. Over the last six months, further product development has been undertaken on the 4050 HF SDR Transceiver to incorporate IP connectivity and additional features with consideration to customer feedback. This has made the BoB redundant. IP connectivity going forward will be more user friendly and end users will have greater flexibility in terms of IP networking configurations. The following table and diagrams detail the new IP adaptors available and the new Dual Port Antenna Switch Unit BCA40505.

All orders received as of 11th April 2019 will be supplied, but no further orders will be accepted for the Barrett BoB. Barrett Communications will continue to provide spares, service and technical support for the BoB in accordance with our warrant statement and ISO accreditation.

Customers interested in the Barrett 4050 HF SDR are encouraged to speak with their Business Development Managers about the options now available.

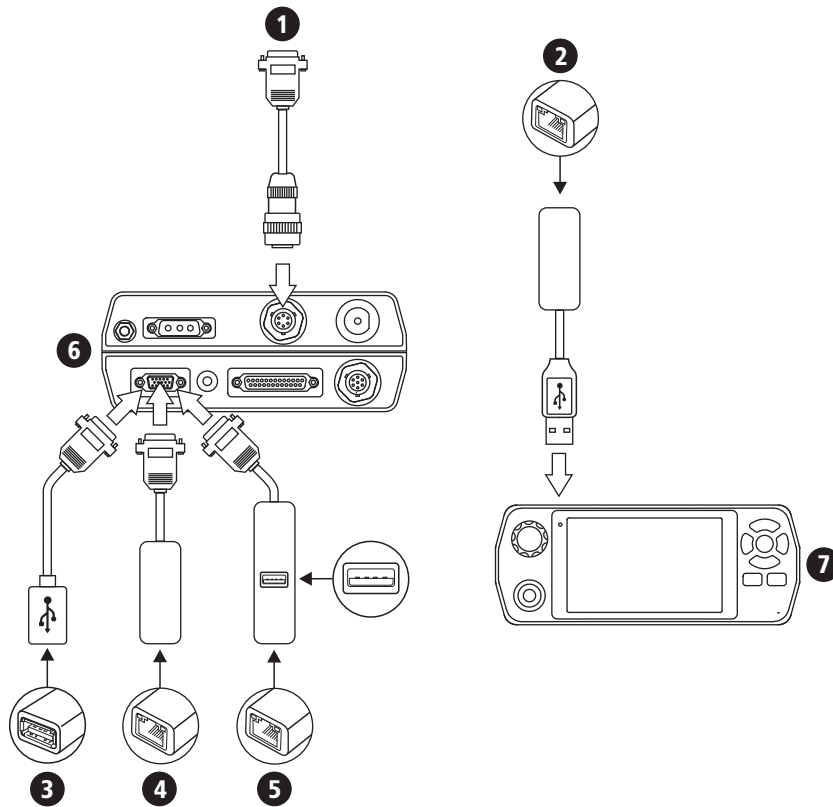
Discontinued Product Part Number Break Out Box (BoB) BCA40050

Replacement Product Part Numbers and descriptions

4050 to USB Adapter: For rear USB connectivity. For use with Barrett certified USB accessories e.g. memory stick for programming/Keyfill/firmware upload or USB to Ethernet Adapter P/N BCA40505	BCA40502
4050 to Ethernet Adapter: For rear Ethernet/IP connectivity	BCA40503
4050 to Ethernet Adapter with USB Port: For rear panel USB and Ethernet/IP connectivity. For use with Barrett certified USB accessories e.g. memory stick for programming/Keyfill/firmware upload or USB to Ethernet Adapter P/N BCA40505	BCA40504
USB to Ethernet Adapter: For use with BCA40502 4050 to USB Adapter or to interface with the 4050 front panel.	BCA40505
Dual Port Antenna Switch Unit: For connection of two antennas to a 4050 Transceiver	BCA40506
4050 to 4075 Linear Amplifier Control Interface Cable: For direct connection between 4050 HF SDR Transceiver and 4075 Linear Amplifier	BCA407501

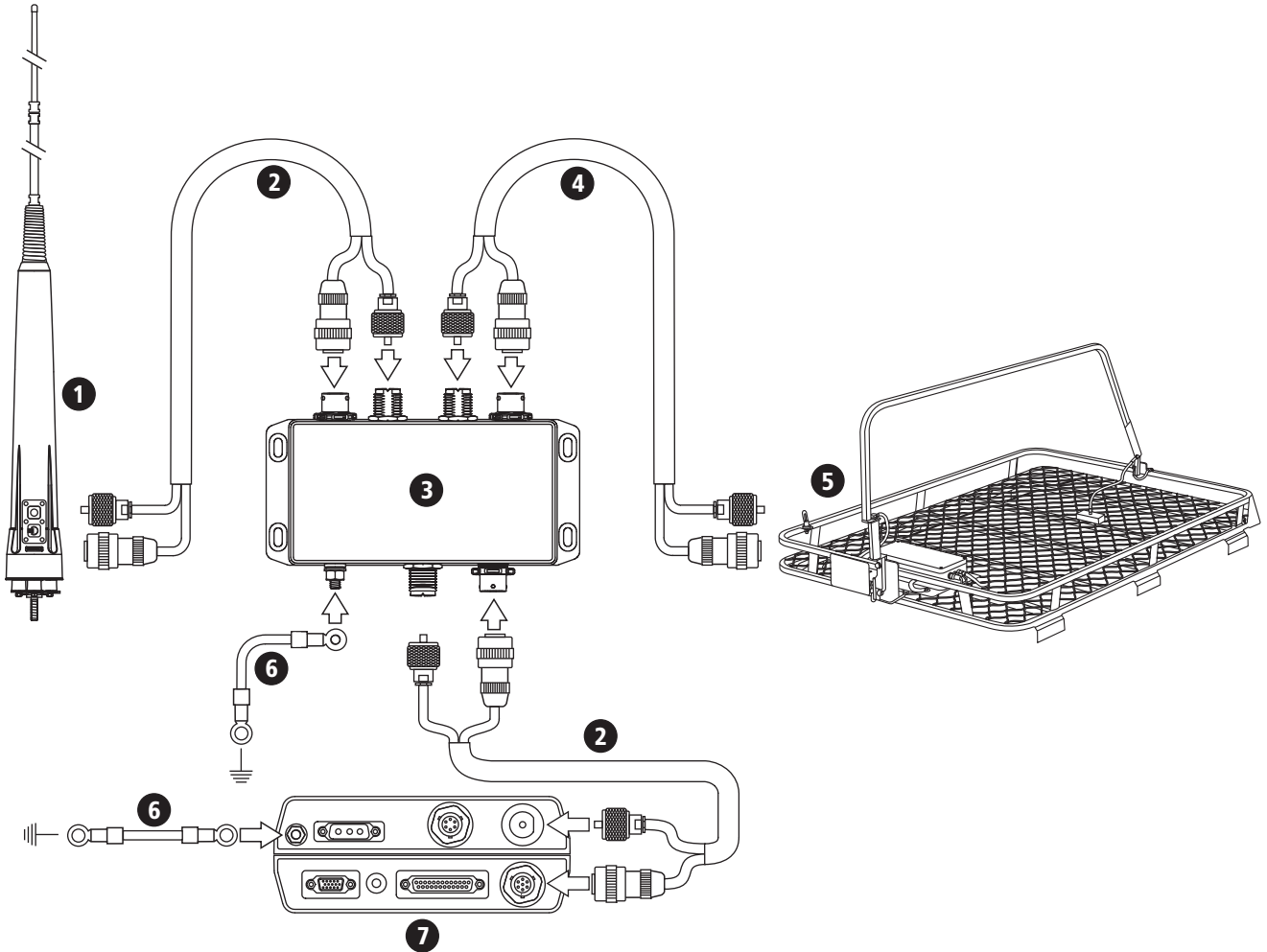
Please see the following pages for diagrams showing sample configurations of how the above adaptors can be utilised.

End of Sale Statement - BoB 9th April 2019



- 1 4050 to 4075 Linear Amplifier Control Interface Cable - P/N BCA407501
- 2 USB to Ethernet Adaptor - P/N BCA40505
- 3 4050 to USB Adaptor - P/N BCA40502
- 4 4050 to Ethernet Adaptor - P/N BCA40503
- 5 4050 to Ethernet Adaptor with USB Port - P/N BCA40504
- 6 4050 HF SDR Transceiver Rear panel
- 7 4050 HF SDR Transceiver Front panel

End of Sale Statement - BoB 9th April 2019



- 1** 2019 Automatic Tunning Mobile HF Antenna - P/N BC401900
- 2** Control Cable 2019 Antenna to Transceiver - 6 metres - P/N 4019-00-12
- 3** Dual Port Antenna Switch Unit - P/N BCA40506
- 4** Interface Cable 2018 Antenna to Transceiver - 6 metres - P/N 4019-00-02
- 5** 2018 Mobile magnetic loop HF antenna - P/N BC201801
- 6** Ground/Earth
- 7** 4050 HF SDR Transceiver rear panel

Head Office:
 Barrett Communications Pty Ltd
 47 Discovery Drive, Bibra Lake,
 WA, 6163 AUSTRALIA
 Tel: +61 8 9434 1700
 Fax: +61 8 9418 6757
 Email: information@barrettcommunications.com.au



www.barrettcommunications.com.au